



High-intensity Type A Aviation Obstruction Light AH-HI/U



White flashing obstruction light for reliable day and night time marking of tall structures that present a hazard to aviation. Incorporates the benefits of advanced xenon strobe and system control technologies to meet the challenges of the most demanding applications.

Advantages

1. Strong efficiency transmission.
2. High-quality Xenon Lamp with 108times long lamp life, low cost and low power consumption.
3. "Safe plug" lamp holder for easy lamp replacement.
4. The circuit of the light has surge protection whose lightning proof ability is In 7.5KA/5 times, IMAx 15KA so that the light is suitable to harsh environment.
5. Uses AH special technology for the ignition of xenon lamps, hold for long lamp life and very low UV and ozone emission.
6. Automatically changing light intensity, day/twilight/night intensity operating.
7. Surge protection inside the light, strong impact resistance and UV protection.
8. Free maintenance and SUS304 stainless steel shell.

Function

The products are one Single light with photocell, so it can work all day and automatically change light intensity according to ambient brightness by photocell. When ambient brightness is less than 50cd/m², light intensity is 2,000cd(±25%); When ambient brightness is between 50cd/m² and 500cd/m², light intensity is 20,000cd(±25%); When ambient brightness is more than 500cd/m², light intensity is 200,000cd(±25%). All control signal wire of light is paralleled to make several lights flash synchronously.

Application



Scope of Application

This product is mainly used on the top of Television transmitting tower, High-rise building, High chimney, cable stayed bridge, communications Tower, Cooling tower, etc which height is over 150meter so that it can play a warning role in potentially hazardous obstructions to air traffic flashing white safety light.



ANHANG TECHNOLOGY

Add: Floor 4, Building 1, Bangtai Industrial Zone,
Jixiang Garden, Bantian Street, Longgang
District, Shenzhen, Guangdong, China

Tel/Fax : +86-755-89589401
Mob : +86-13260726316 (Alice)
E-mail : sale@ahicao.com
<http://www.ahicao.com>
<http://www.annhung.com>



© Anhang Technology 2016 | All rights reserved

High-intensity Type A Aviation Obstruction Light AH-HI/U

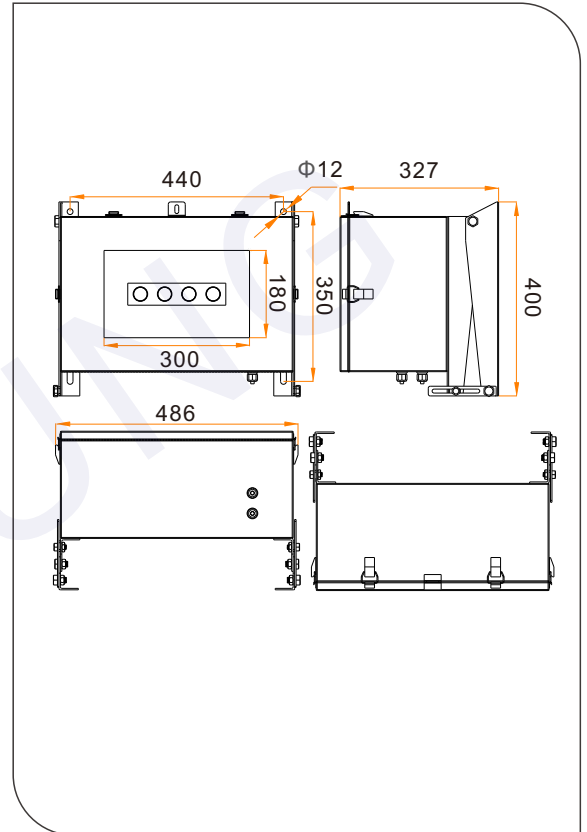
Main Parameter

11. Mode: AH-HI/U
2. Light intensity:
-2,000cd (Night)
-20,000cd (Twilight)
-200,000cd (Daytime)
3. Flash rate: 40 to 60 times/minute
4. Light source: LED
5. Service life of LED: $\geq 100,000$ hours
6. Operating voltage: AC220V
7. Power Consumption: 150W
8. Overall Size (mm): 486 by 400 by 320
9. Installation Size: 447 by 340 by 12
10. Vertical degree: 3° minimum
11. Horizontal degree: 120°
12. Material:
-Housing: High borosilicate glass
-Base: SUS304 stainless steel shell
13. Weight: 15 Kg
14. Emitting Color: White
15. Ambient Temperature: $-40^{\circ}\text{C} \sim +60^{\circ}\text{C}$
16. Wind load: 80m/s
17. Protection Standard: IP65

Compliance

- High-intensity Type A FAA L-856
- High-intensity Type A Aviation Obstruction Light, ICAO Annex 14 Volume 1, 'Aerodrome Design and Operations' Forth edition July 2004, table 6.3

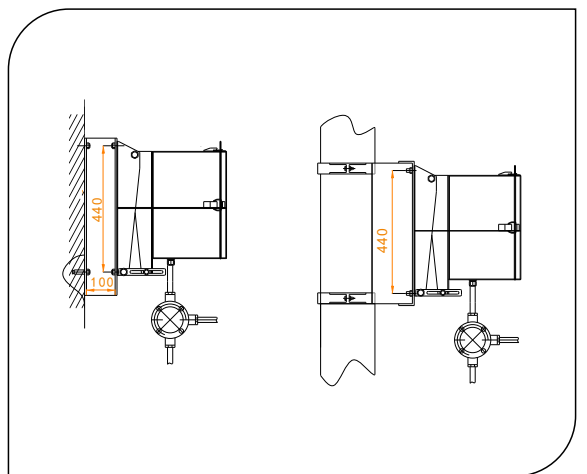
Dimension Drawing



Production Flow Chart



Installing diagram



ANHANG TECHNOLOGY

Add: Floor 4, Building 1, Bangtai Industrial Zone,
Jixiang Garden, Bantian Street, Longgang
District, Shenzhen, Guangdong, China

Tel/Fax : +86-755-89589401
Mob : +86-13260726316 (Alice)
E-mail : sale@ahicao.com
<http://www.ahicao.com>
<http://www.annhung.com>

